

VESTIBULAR STIMULATOR CHAIR- A HOME VERSION OF VESTIBULATOR

VESTIBULAR STIMULATOR CHAIR is an ergonomically-designed compact vestibular therapy device for at home therapy of children suffering from vestibular dysfunction and developmental disorders.

The device provides vestibular stimulation in all the planes of gravity at the desired speed, frequency and in various therapy posture.

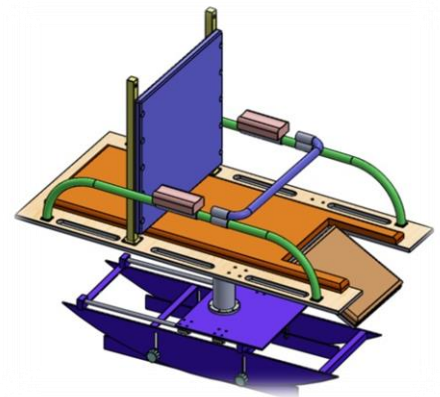
The chair is designed to make the in-house therapy program more purposeful by adding more therapeutic benefit by making at-home therapy repetitive, accurate and specific. Also, enabling the care-takers to give the prescribed therapy dose with a lot of ease.

FEATURES:

- Human Centric Design For Home Use
- Provides All The Therapy Motions Required For Sensory Integration Therapy
- Convertible
- 100% Manual
- Portable
- Easy To Use As Per The Prescription Of The Therapist.
- Safe In Handling
- Universal Design For All Age Groups
- Patented

APPLICATION:

- Sensory Vestibular Substitution
- Behavioral Vestibular Substitution
- Vestibular Habituation



MOTIONS OFFERED

- Ascending-Descending
- Sliding / Forward- Backward
- Tilting (left and right)-30 and 60 degrees.
- Rotation (clockwise and anticlockwise)-360, 180 and 90 degrees

POSTURES OFFERED

- Sitting- Chair and Long
- Sleeping- Supine and Prone
- Kneeling
- Crawling

TECHNICAL SPECIFICATIONS:

- Length x Width x Height: 3.9x1.9x 3.9 Feet
- Weight: 25Kgs.

A MUST BUY FOR PADIATERIC POPULATION SUFFERING FROM:

- Cerebral Palsy,
- Autism Spectrum Disorder,
- Attention Deficit Hyperactivity Disorder,
- Learning Disability,
- Pervasive Developmental Disorders,
- Physical Motor Disorder, and
- Global Developmental Delay.

For Purchase Call : +91-9224763158 or Mail : info@transpact.in/anischoudhery@gmail.com